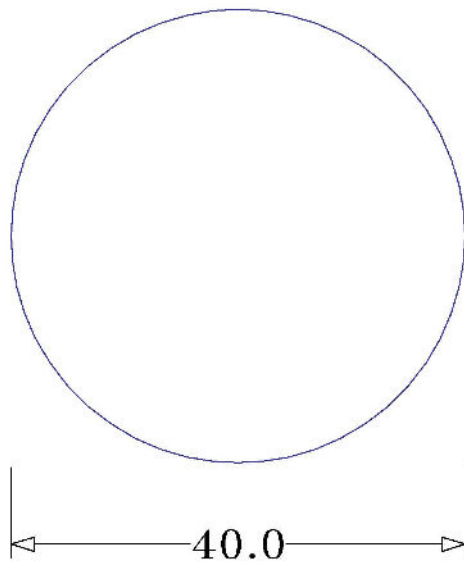


hardtopix

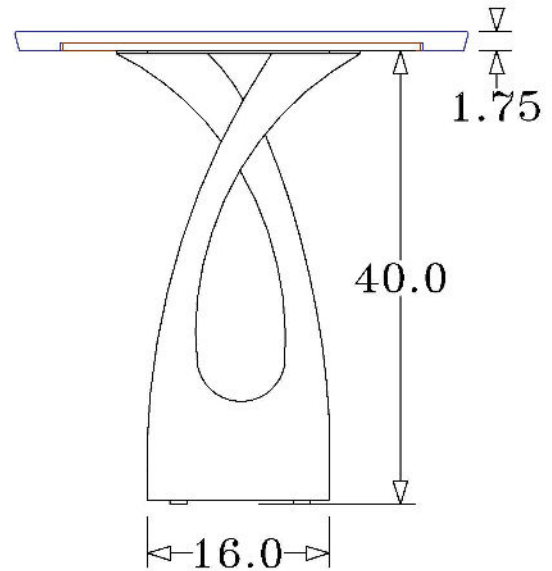
Concrete Pub Table

MODEL: MC-PUB-40

PLAN VIEW:



SECTION VIEW:



Technical Information

All product dimensions are nominal

Size: 40" x 22" x 5"

Installation: Partial Assembly – Top Secures to Base

Top Diameter: 40"

Top Thickness: 1.75"

Base Height: 40"

Overall Height: 41.75"

Base Width: 16"

Weight: ~140 lbs (Top 100 lbs, Base 40 lbs)

Material: GFRC Concrete + Powder-Coated Steel

Finish: Cast DS Natural

Use: Indoor / Covered Outdoor

Sealer: Hybrid topical (food-safe)

Notes

- Product ships crated and partially assembled.
- Final placement and uncrating are the responsibility of the customer.
- Resealing recommended as needed based on use and environment.
- ADA compliance not applicable unless table is installed in specific public-use configurations.
- Slight variation in tone, texture, or air voids is inherent in handcrafted concrete.

Made in USA 616-662-9800

Hard Topix reserve the right to make revisions without notice to product specifications

For the most current Specifications Sheet, go to www.hardtopix.com

