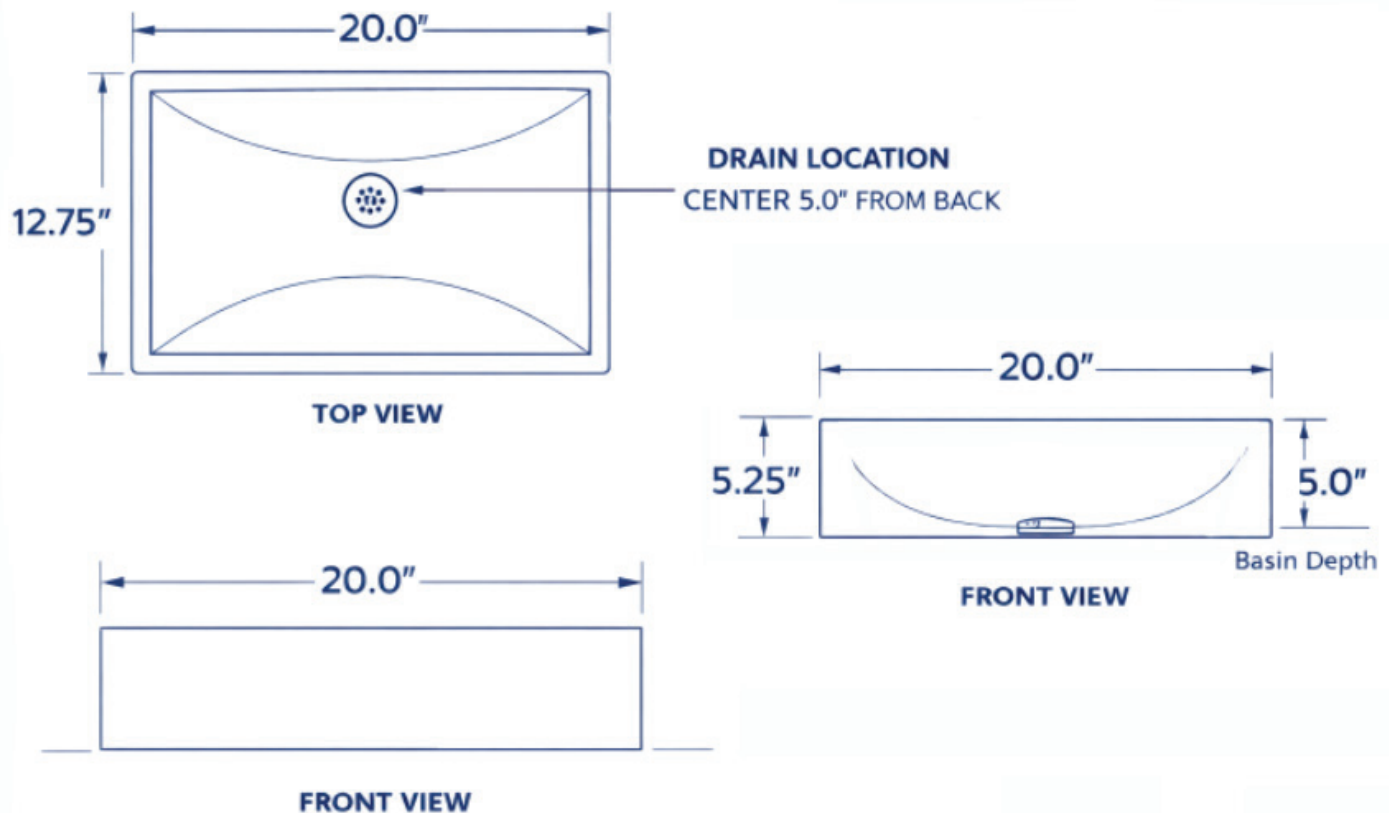


# hardtopix

## Concrete Vessel Sink

MODEL: BASIN-VESSEL-20



### Technical Information

All product dimensions are nominal  
Model: BASIN-VESSEL-20  
Overall Size: 20" W x 12.75" D x 5.25" H  
Basin Depth: 5.0" at deepest point  
Weight: ~40 lbs  
Material: Glass Fiber Reinforced Concrete (GFRC)  
Finish: Smooth Cast, Natural Tone  
Installation: Countertop / Surface Mount  
Drain Prep: Standard 1.5" Grid Drain (No Overflow)  
Faucet Prep: Single Hole (Centered 5.0" from back)  
Use: Indoor Residential  
Sealer: Hybrid topical (food-safe, stain-resistant)

### Notes

- Product ships securely packaged.
- Final plumbing and installation are the responsibility of the customer.
- Clean with mild soap and water; avoid harsh chemicals, acids, or abrasives.
- Wipe spills promptly to protect the sealer.
- Slight variations in tone, texture, and air voids are inherent in handcrafted concrete.

Made in USA 616-662-9800

Hard Topix reserve the right to make revisions without notice to product specifications

For the most current Specifications Sheet, go to [www.hardtopix.com](http://www.hardtopix.com)

